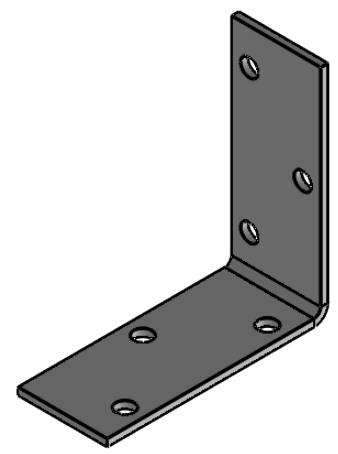
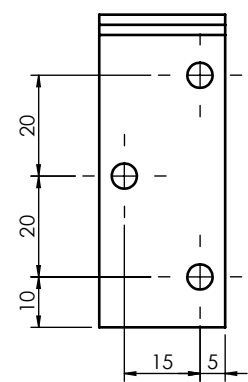
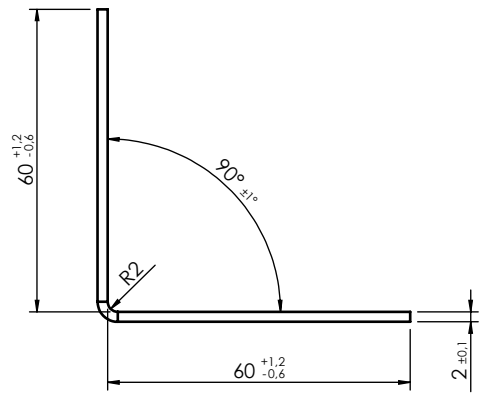
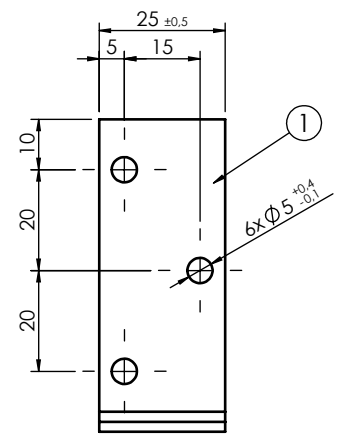


This document is the absolute property of DOMAX Sp. z o.o. This document must not be copied without the written permission of DOMAX Sp. z o.o. The contents thereof must not be disclosed to a third party nor be used for any unauthorized purpose. Contravention will be prosecuted.

Revision				
Rev.	Explanation	Date	Revised by	Approved by



- Note:**
1. General tolerances EN 22768 mK.
 2. Dull the sharp edges.
 3. Corrosion protection Z275 MAC

1	1	Plate	x2-120x25	DX51D	0.05	
Pos.	No.	Name	Description	Material	Weight [kg]	
Design		D. Kozłowski	Checked -	Approved -	Note	
Drawn		D. Kozłowski	Format A4	Scale 1:1.5	Material DX51D	Weight -
Index	4120	Date	28.01.2020	Angle KM 20		
		-			Sheet 1 / 1	
DOMAX Sp. z o.o.		KM 20			Rev 0	